

Cod. 10016
Cod. 10017

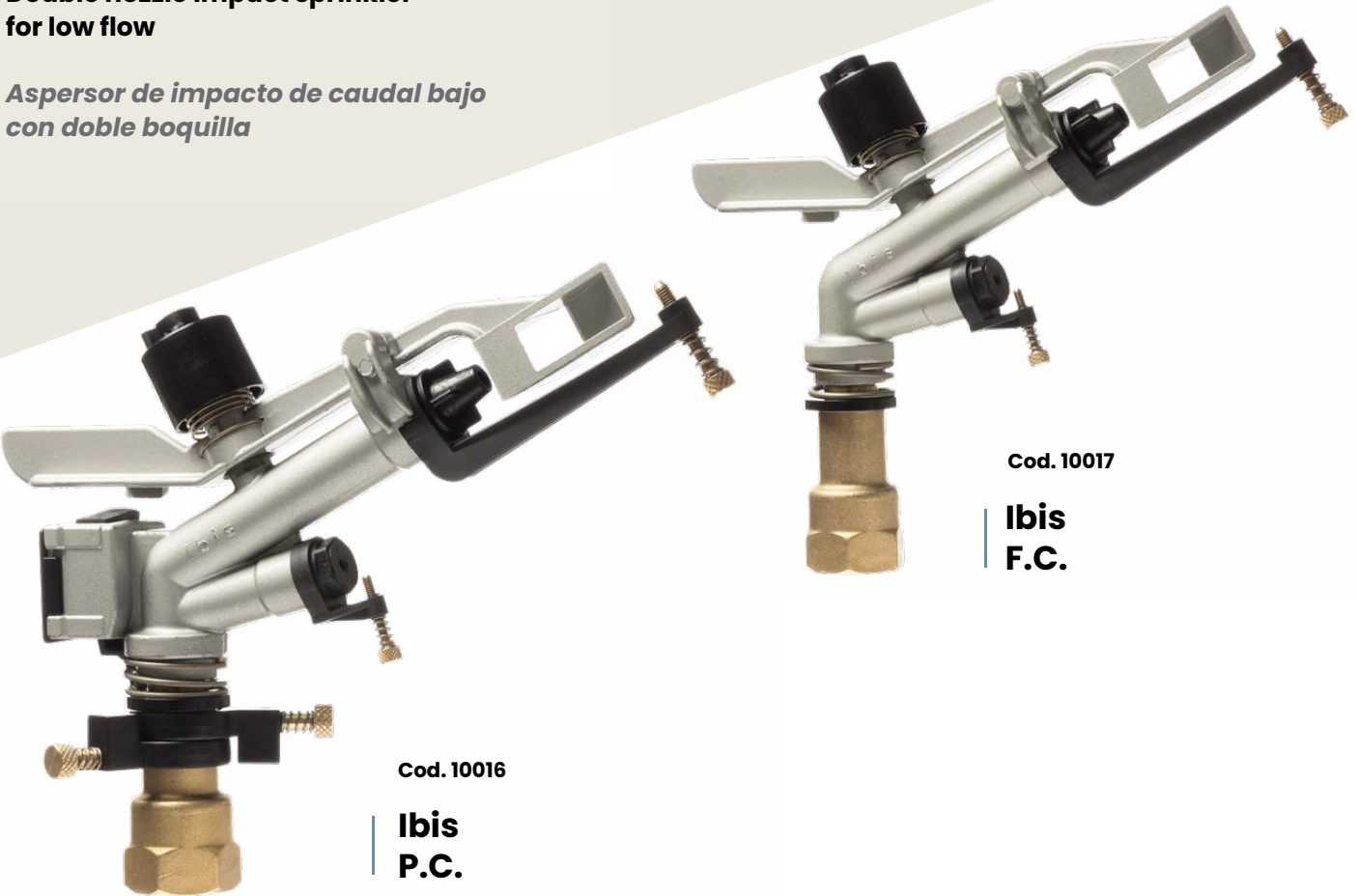
Ibis

Solid set systems
Cobertura integral



**Double nozzle impact sprinkler
for low flow**

*Aspersor de impacto de caudal bajo
con doble boquilla*



Cod. 10016

**Ibis
P.C.**

Cod. 10017

**Ibis
F.C.**

	Net weight <i>Peso neto</i>	Connection <i>Conexión</i>	Size <i>Dimensiones</i>	Nozzle <i>Boquilla</i>	Angle <i>Ángulo</i>
P.C	0,76 kg	1" F	ø 414 mm x 216 mm	ø 6 ÷ 10 mm	28°
F.C	0,65 kg				

Pressure *Presion*

for **US units** go to page 70

Nozzle <i>Boquilla</i>	1,5 bar		2 bar		3 bar		4 bar		5 bar	
	Flow <i>Caudal</i> l/min	Radius <i>Alcance</i> m	Flow <i>Caudal</i> l/min	Radius <i>Alcance</i> m	Flow <i>Caudal</i> l/min	Radius <i>Alcance</i> m	Flow <i>Caudal</i> l/min	Radius <i>Alcance</i> m	Flow <i>Caudal</i> l/min	Radius <i>Alcance</i> m
4 mm - 6 mm	40	13	46	15	56	17	65	18	-	-
4 mm - 8 mm	61	14,5	71	16,5	86	18	100	19	-	-
4 mm - 10 mm	-	-	102	17	124	19,5	144	21	161	23

US units



Funny

Nozzle
Boquilla

Pressure Presion

	22 PSI		29 PSI		44 PSI		56 PSI	
	Flow Caudal gpm	Radius Alcance feet	Flow Caudal gpm	Radius Alcance feet	Flow Caudal gpm	Radius Alcance feet	Flow Caudal gpm	Radius Alcance feet
0.20 in	5.3	41	5.8	44	7.1	49	8.5	54
0.24 in	7.4	43	8.5	48	10.3	54	11.9	57
0.28 in	9.8	46	11.1	49	13.7	56	15.9	61
0.35 in	16.4	49	18.8	54	23.0	61	26.4	64



Ibis

Nozzle
Boquilla

Pressure Presion

	22 PSI		29 PSI		44 PSI		56 PSI		70 PSI	
	Flow Caudal gpm	Radius Alcance feet	Flow Caudal gpm	Radius Alcance feet	Flow Caudal gpm	Radius Alcance feet	Flow Caudal gpm	Radius Alcance feet	Flow Caudal gpm	Radius Alcance feet
0.16 in - 0.24 in	10.6	43	12.2	49	14.8	56	17.2	59	-	-
0.16 in - 0.31 in	16.1	48	18.8	54	22.7	59	26.4	62	-	-
0.16 in - 0.39 in	-	-	26.9	56	32.8	64	38.0	69	42.5	75



K1

Nozzle
Boquilla

Pressure Presion

	22 PSI		29 PSI		44 PSI		56 PSI	
	Flow Caudal gpm	Radius Alcance feet	Flow Caudal gpm	Radius Alcance feet	Flow Caudal gpm	Radius Alcance feet	Flow Caudal gpm	Radius Alcance feet
0.31 in	12.9	51	15.1	56	18.2	62	21.1	67
0.35 in	16.4	54	18.8	57	23.0	64	26.4	69
0.39 in	20.1	56	23.2	59	28.3	67	32.8	72
0.47 in	29.1	56	33.5	62	40.9	69	47.3	77



K1 teso 8°

Nozzle
Boquilla

Pressure Presion

	22 PSI		29 PSI		44 PSI		56 PSI	
	Flow Caudal gpm	Radius Alcance feet	Flow Caudal gpm	Radius Alcance feet	Flow Caudal gpm	Radius Alcance feet	Flow Caudal gpm	Radius Alcance feet
0.31 in	12.9	33	15.1	36	18.2	46	21.1	52
0.35 in	16.4	36	18.8	39	23.0	51	26.4	59
0.39 in	20.1	39	23.2	44	28.3	54	32.8	62



Jolly

Nozzle
Boquilla

Pressure Presion

	22 PSI		29 PSI		44 PSI		56 PSI		70 PSI	
	Flow Caudal gpm	Radius Alcance feet	Flow Caudal gpm	Radius Alcance feet	Flow Caudal gpm	Radius Alcance feet	Flow Caudal gpm	Radius Alcance feet	Flow Caudal gpm	Radius Alcance feet
0.28 in - 0.16 in	16.4	54	18.8	57	23.0	64	26.4	69	-	-
0.35 in - 0.16 in	20.1	56	23.2	59	28.3	66	32.8	71	-	-
0.39 in - 0.16 in	-	-	28.0	62	34.3	69	39.9	74	44.9	77
0.47 in - 0.16 in	-	-	39.4	69	48.1	77	55.7	85	62.3	92
0.55 in - 0.55 in	-	-	52.0	74	63.7	79	73.4	89	82.2	95